

Fibre-coupled (input & output) waveguide package for CW Second Harmonic Generation (SHG)

Designed for both OEMs and Researchers who need up to 35mW output power in a ruggedised package with no exposed fibre and PM-FC-APC connectors embedded in the enclosure

Robust option to generate SHG for Input wavelengths 1558nm -1562nm

- **Robust with long lifetime**
- **Will handle Input powers up to 300 mW**
- **Simple to use**
- **Compatible with existing OC2 and OC3 Temperature controllers**

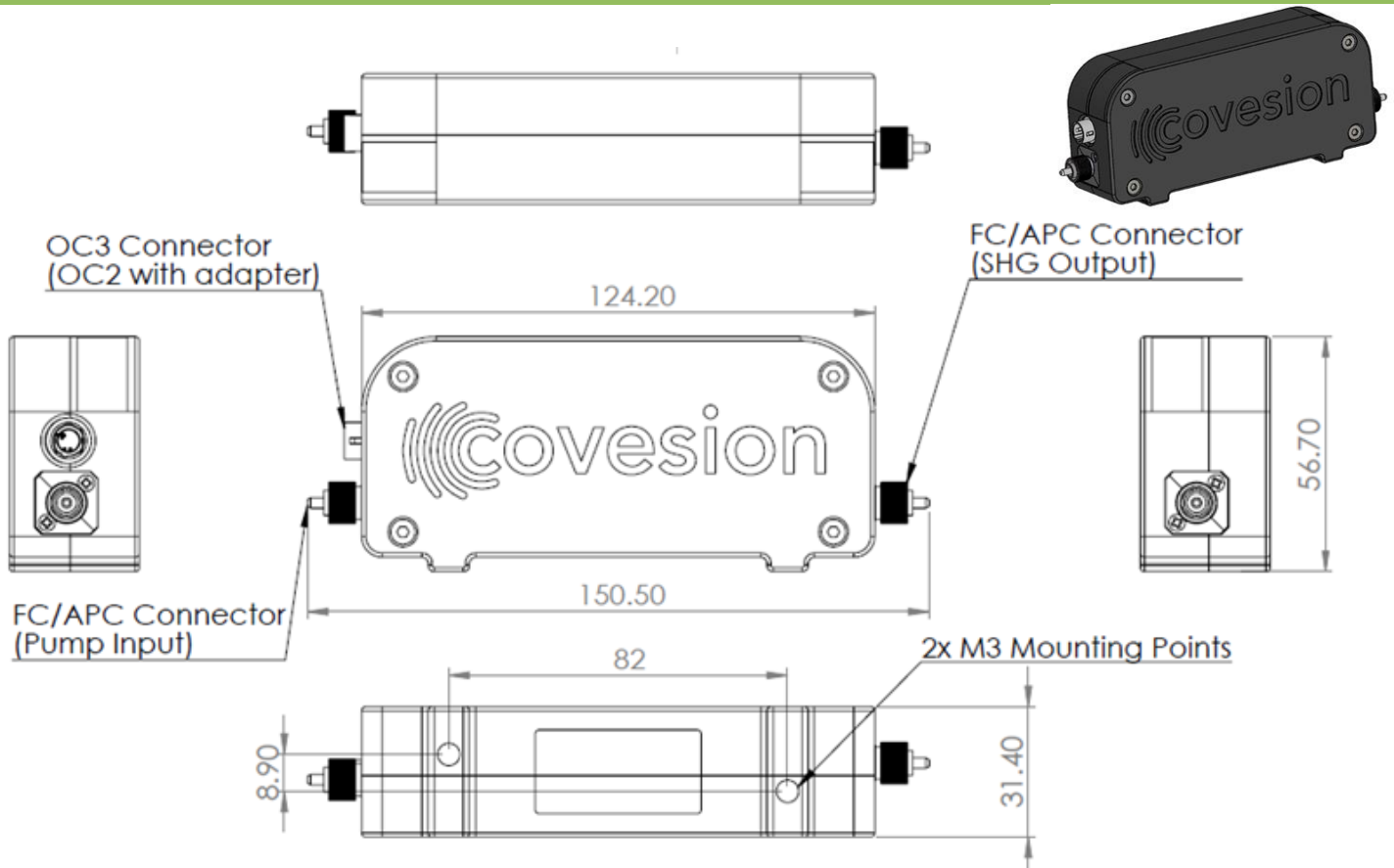


Specification	
Non-Linear Interaction	Type 0 (ee-e)
Input Polarisation Alignment	<i>e-pol</i> (polarisation axis aligned to the crystal thickness)
Input wavelength range for SHG [nm]	1558-1562
Output wavelength range [nm]	779-781
Temperature tuning range from ambient [°C]	30 to 70
Recommended maximum CW pump launch [mW]	1000
CW SHG output @300mW Input [mW]	>30
Typical module efficiency (@300mW in) [%]	>10
Fiber connector	PM-FC-APC
Connector Keyway Alignment	Slow Axis
Input fibre type	PM-1550
Output fibre type	PM-850
Weight [g]	325
Dimension [mm]	150 x 52 x 24

Contact us to discuss availability and pricing

Ruggedised Packaged Waveguide WGP-M-1560-40

Version 3.0/2021



Accessories

Optical table mounting plate

Waveguide Fibre patch cord pack

Waveguide module to OC2 adapter kit



Contact us to discuss availability and pricing

Email sales@covesion.com
Phone +44 (0)1794 521 638
Web www.covesion.com

