

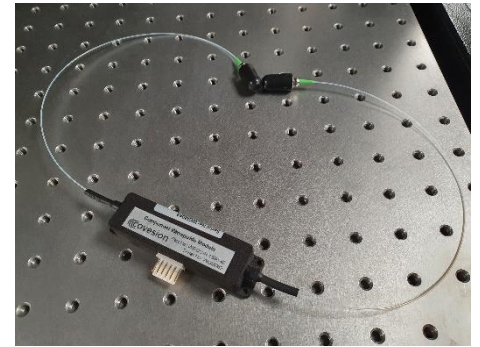
Component Fibre in Fibre out Waveguide WGCO-H-1560-40

Version 3.0/2021

Covesion's Fibre-coupled (input and output) component waveguide for CW Second Harmonic Generation (SHG)

Designed for both OEMs and Researchers who need
greater than 35mW output power

- A reliable way of 1558nm -1562nm pumped SHG
- Robust with long lifetime
- Maximum input power up to 3.5W
- Simple to use
- Compatible with existing OC2 and OC3 Temperature controllers



Specification

Non-Linear Interaction	Type 0
Input wavelength range for SHG [nm]	1558-1562
Output wavelength range [nm]	779-781
Temperature tuning range from ambient [° C]	30 to 70
CW pump launch required for 1W SHG output [W]	3
CW SHG output @3W Input [W]	>1
Typical module efficiency (@3W in) [%]	>33
Fiber connector	PM-FC-APC
Connector Keyway Alignment	Slow Axis
Weight [g]	100
Dimension (Excluding Connector) [mm]	87 x 22 x 17

Contact us to discuss availability and pricing

Email sales@covesion.com
Phone +44 (0)1794 521 638
Web www.covesion.com

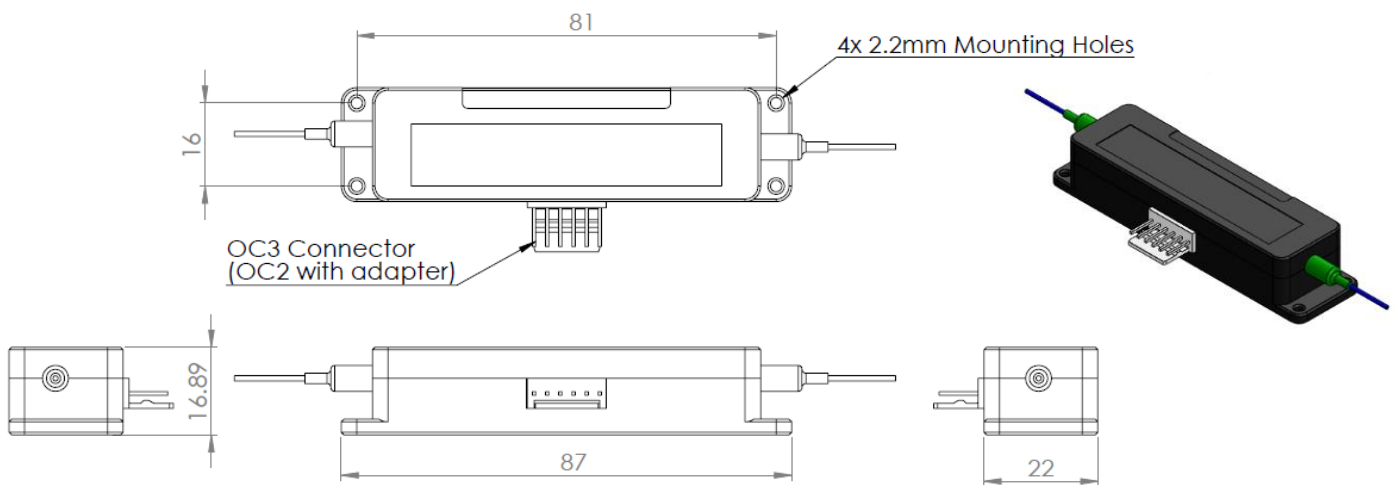


Component Fibre in Fibre out Waveguide WGCO-H-1560-40

Version 3.0/2021

Covesion's Fibre-coupled (input and output) component waveguide for CW Second Harmonic Generation (SHG)

Designed for both OEMs and Researchers who need
greater than 35mW output power



Accessories

OC3 Temperature Controller

Fibre patchcord pack specifically matched to the output fibre

Component WG module to OC2 adapter kit



Contact us to discuss availability and pricing

Email sales@covesion.com
Phone +44 (0)1794 521 638
Web www.covesion.com

