

Fibre-coupled input, free-space output component waveguide for CW Second Harmonic Generation (SHG)

Designed for both OEMs and Researchers who need
upto 35mW output power

- A reliable way of 1558nm -1562nm pumped SHG
- Robust with long lifetime
- Will handle Input power up to 3.5 W
- Simple to use
- Compatible with existing OC2 and OC3 Temperature controllers



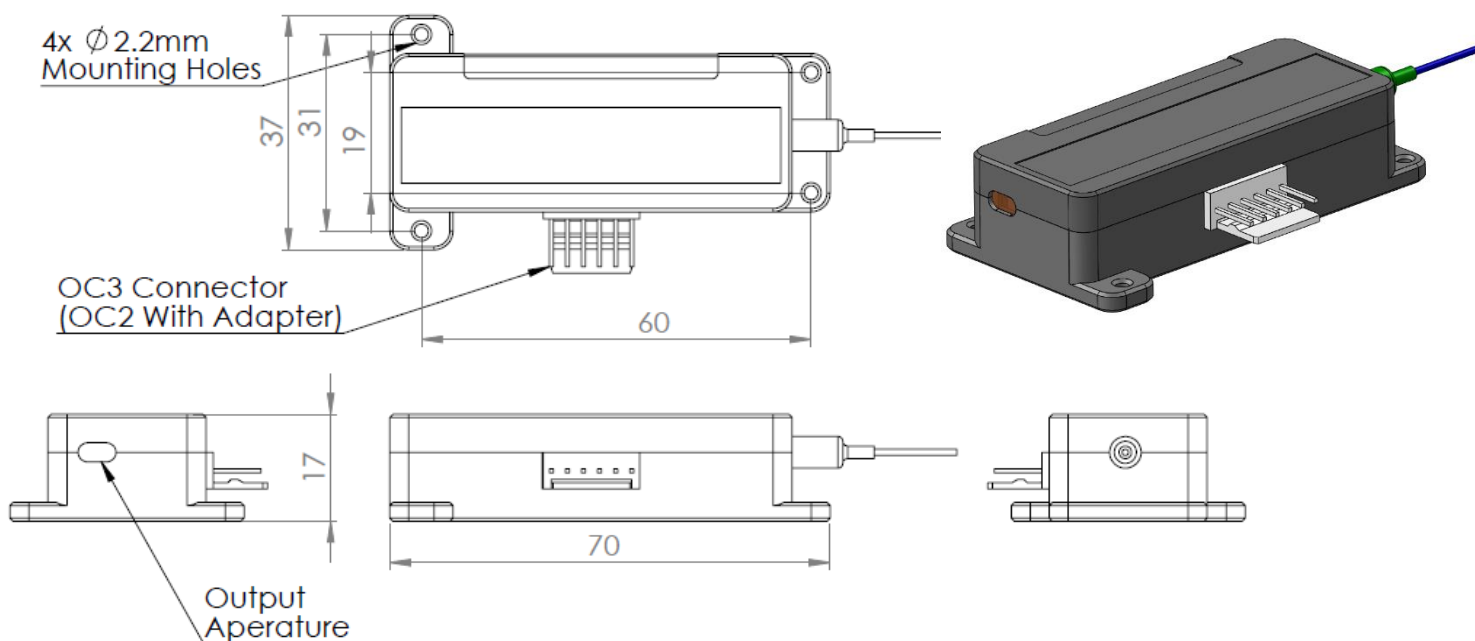
Specification

Non-Linear Interaction	Type 0 (ee-e)
Polarisation Alignment	<i>e-pol</i> (polarisation axis aligned to the crystal thickness)
Input wavelength range for SHG [nm]	1558-1562
Output wavelength range [nm]	779-781
Temperature tuning range from ambient [°C]	30 to 70
Recommended maximum CW pump launch [mW]	1000
CW SHG output @300mW Input [mW]	>35
Typical module efficiency (@300mW in) [%]	>12
Fiber connector	PM-FC-APC
Connector Keyway Alignment	Slow Axis
Input fibre type	PM-1550
Typical Output MFD @1560nm (2nd moment) ±20%	x = ~10.0µm y = ~8.8µm
Typical Output NA @1560nm ±20%	x = ~0.094, y = ~0.113
Typical Output MFD @780nm (2nd moment) ±20%	x = ~9.9µm y = ~8.3µm
Typical Output NA @780nm ±20%	x = 0.092, y = 0.085
End-facet AR Coating	780nm/1560nm Dual Band
Weight [g]	100
Dimension [mm]	70 x 37 x 17

Contact us to discuss availability and pricing

Covesion's Fibre-coupled input, free-space output component waveguide for CW Second Harmonic Generation (SHG)

Designed for both OEMs and Researchers who need
upto 35mW output power



Accessories

OC3 Temperature Controller

Optical table/post mounting plate

Fibre patchcord pack specifically matched to the output fibre

Component WG module to OC2 adapter kit



Contact us to discuss availability and pricing

Email sales@covesion.com
Phone +44 (0)1794 521 638
Web www.covesion.com

