

# WEDGE HF 355nm

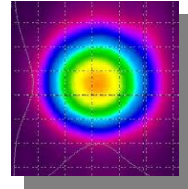
Spec. #: WHF18901

## Diode Pumped Solid State Laser



### MAIN FEATURES

- \_ 355 nm
- \_ 500 ps
- \_ > 40uJ
- \_ Compact Design
- \_ Air Cooled



### Technical Specifications

Output Wavelength	355	nm
Q-Switch Repetition Rate	10 to 50 (optional: Single Shot to 100 kHz)	kHz
Average Power	up to 0.8	W
Pulse Width	0.5 to 1	ns
Low Jitter Option (for direct Q-Switch driving)	< 300	ps
Pulse to Pulse energy stability (RMS)	< 10% @ 10kHz	
Polarization	Linear 100:1	
M <sup>2</sup>	< 1.5 a 10kHz	
Beam diameter (1/e <sup>2</sup> )	< 1.5	mm
Pulse frequency control input	TTL (0 to 5V)	
Energy level control input	0 to 10 V (Analog)	
Cooling	Air Cooling, integrated thermostatic fan	
Power supply input	24 V DC – < 5A	
Control Connector	DB 25 pin	
Optional AC/DC power supply	100 – 230 VAC	
Size of the unit	18 x 9 x 7	cm <sup>3</sup>
Weight	< 2	kg



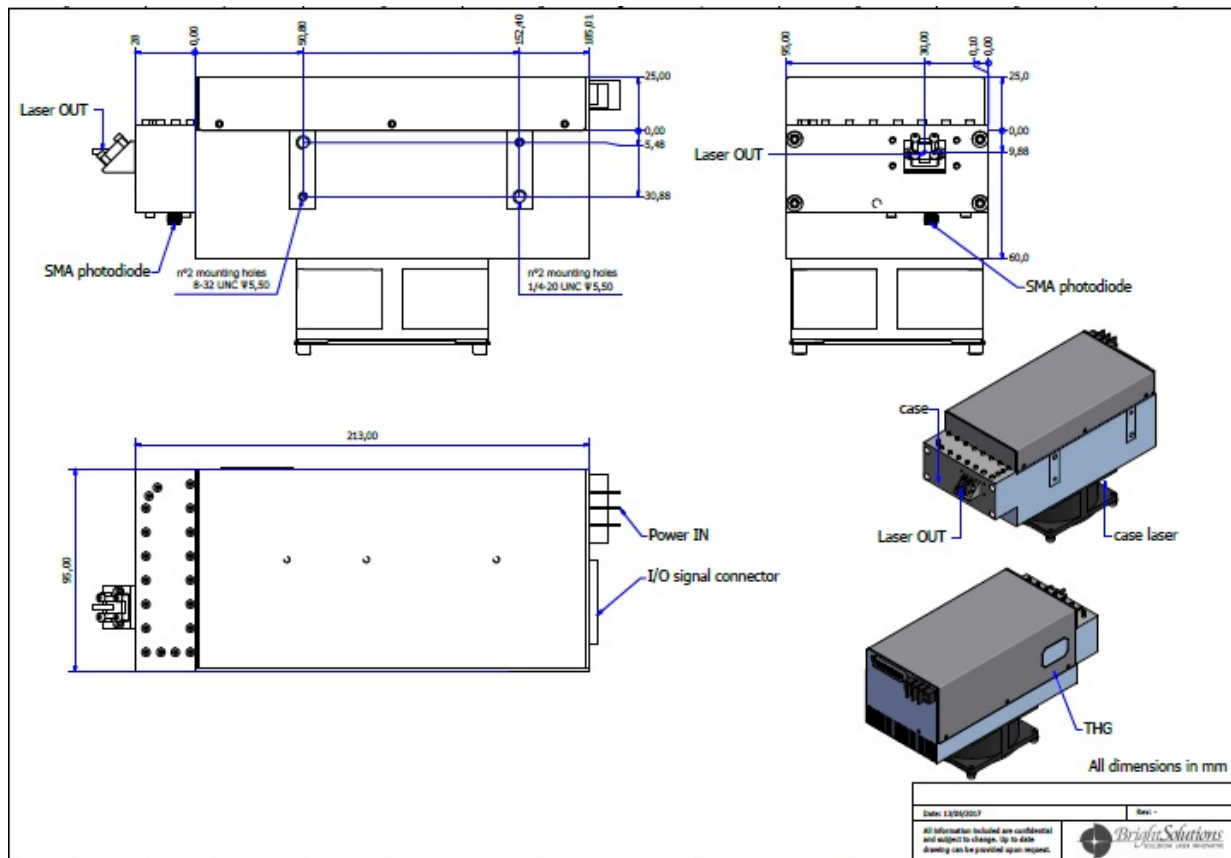
All information included in this document are subject to change without notice.

Updated data sheets can be provided on request.

For further details, please contact your local **Bright Solutions** sales representative or visit our website at [www.brightsolutions.it](http://www.brightsolutions.it)

**Bright Solutions Srl**  
Via Artigiani, 27  
27010 Cura Carpignano - PV  
Italy  
Ph. +39 0382583094  
e-mail: [sales@brightsolutions.it](mailto:sales@brightsolutions.it)

### Mechanical Drawings



*All dimensions are in mm*

**Mechanical dimensions can vary without notice**

#### Options Available:

- 532nm, 1064nm collinear available beams
- UV monitor photodiode

#### Applications:

- Ablation / Micromachining of thin films
- LIDAR - LADAR - LIBS
- Specialty Scribing / Material processing



All information included in this document are subject to change without notice.

Updated data sheets can be provided on request.

For further details, please contact your local **Bright Solutions** sales representative or visit our website at [www.brightsolutions.it](http://www.brightsolutions.it)

**Bright Solutions Srl**  
Via Artigiani, 27  
27010 Cura Carpignano - PV  
Italy  
Ph. +39 0382583094  
e-mail: [sales@brightsolutions.it](mailto:sales@brightsolutions.it)