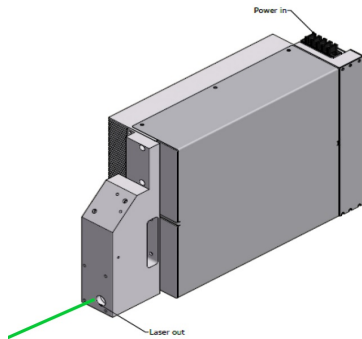


# Sol 20W 532nm

Spec. #: SL19109

## Q-Switched compact ns DPSSL



### FEATURES

- \_ Up to 1.2 mJ
- \_ Short pulse duration
- \_ up to 100 kHz
- \_ All solid state design
- \_ Air Cooled
- \_ Low heat waste

Technical Specifications	Typical	
Output Wavelength	532	nm
Pulse energy	Up to 1.2	mJ
Pulse Width	10 to 60	ns
Repetition Rate	Single shot to 100 <i>(option: pulse interleaving)</i>	kHz
Polarization	Unpolarized	
Beam diameter (1/e <sup>2</sup> )	< 8 <i>(collimated)</i>	mm
Beam Quality (M <sup>2</sup> )	< 2 @ 10 kHz	
Electrical Requirements	24 V DC IN, < 25 A (*)	
Cooling	Air Cooled	
Mechanical Dimensions	334 x 211 x 95	mm <sup>3</sup>
Weight	< 10	kg

(\*) Optional: 100-230 AC DC Power Supply

Options Available:	Applications:
<ul style="list-style-type: none"> <li>- Beam Expanding and Collimating optics</li> <li>- Red aiming beam</li> <li>- Water cooling</li> </ul>	<ul style="list-style-type: none"> <li>- High Speed Marking</li> <li>- Material Processing</li> <li>- Medical</li> <li>- PCB cutting</li> </ul>



All information included in this document is subject to change without notice.

Update data sheets can be provided after formal request.

For complete details, please contact your local **Bright Solutions** sales representative or visit our website at [www.brightsolutions.it](http://www.brightsolutions.it)

**Bright Solutions Srl**  
Via Artigiani, 27  
27010 Cura Carpignano - PV  
Italy  
Ph. +39 0382583094  
e-mail: [sales@brightsolutions.it](mailto:sales@brightsolutions.it)