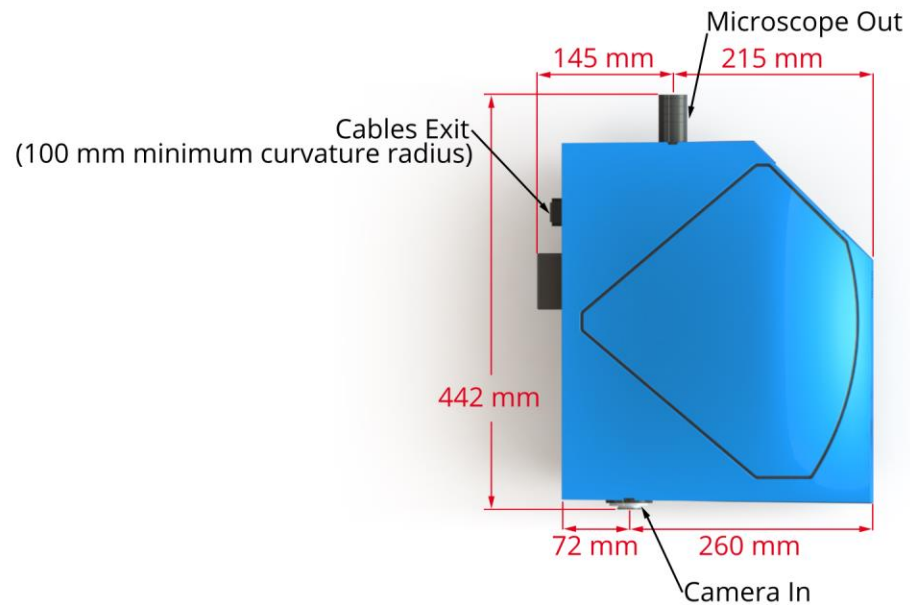
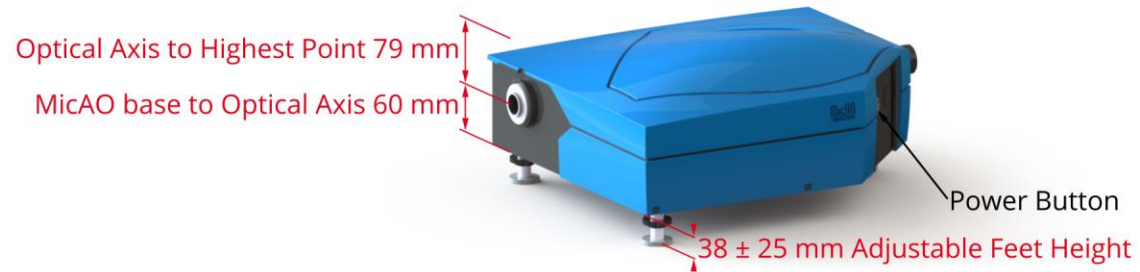


Right port of the microscope



Left port of the microscope

